



# CF-03 Misting Pump



## 1 PUMP BODY



ALLUMINUM ALLOY  
BY GRAVITY DIE CASTING



COMPACT AND SMALL  
(300\*260\*180MM) EASY TO  
BE ASSEMBLED INTO THE  
REQUIRED SYSTEM/MODULE.

## 2 HORIZONTALLY OPPOSED CYLINDER DESIGN



- The unique flat-four cylinders design with patented interlocking plates, driven by an eccentric shaft, can move the plungers inward and outward synchronously.



THE PERFECT DYNAMIC  
BALANCE REDUCES  
10%-25% KW ENERGY  
CONSUMPTION,  
VIBRATION AND PULSATION



### 3 INNOVATION FOR SUSTAINABILITY: SELF-LUBRICATING SYSTEM.



ENABLES TWO OR MORE PUMPS TO BE LINKED TOGETHER FOR GENERATING HIGHER FLOW RATE WITH LOWER ENERGY CONSUMPTION

- This patented system allows the oil to lubricate the pump, traveling from the oil tank to the eccentric shaft and then return to the tank as a sustainable circle.
- 4000 hrs 24/7 operation is feasible as the crucial components are wellly protected by the sustainable system.



COMSUMING COMPONENTS CAN LAST 3000 HRS+ WITH THE PROTECTION OF THE SUSTAINABLE SYSTEM.

- IDA silver award for sustainability



THE OPERATION TEMP CAN BE CONTROLLED AROUND 25° F OR 77° F





#### 4 MAINTENANCE & REPAIR

- The crucial consuming parts are integrated into a bush kit, consisting of water seals, oil seals and O-rings. Easy for customers to replace and repair by themselves.

#### \*PLUNGER BUSH KIT: SEALS AND O-RINGS INTEGRATION



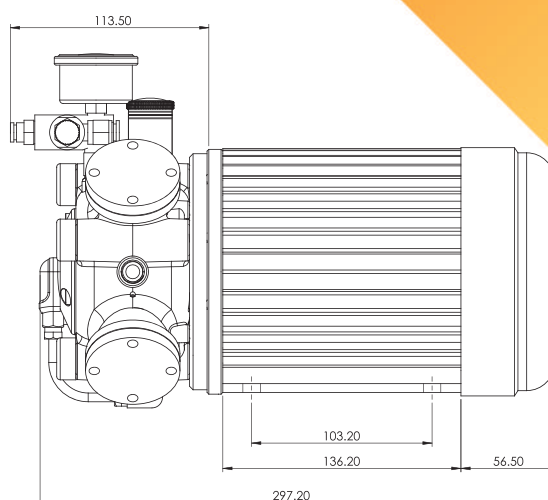
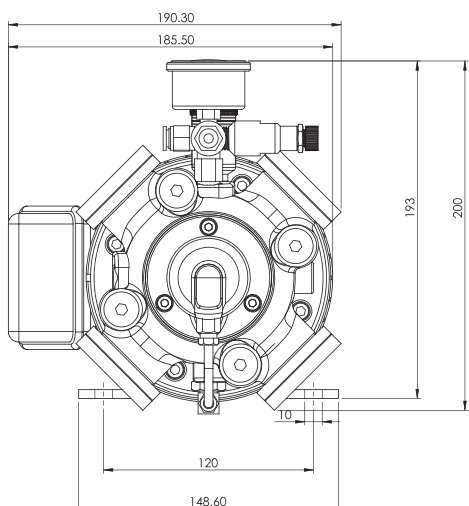
OVER 10 YEARS LIFESPAN FOR NON-CONSUMING PARTS



TWO YEARS WARRANTY.



REDUCTION FOR MAINTENANCE INTERVAL AND COST. 13-15% COST PER 3000 HRS



## TECHNICAL DATA 規格表

MOD	MAX		MAX		⚡				KG NET
	bar	psi	LPM	GPM	Hp	RPM	Volt/Hz	Phase Pole	
CF-15	120	1740	15/12	3.96/3.17	5	1460 /1720	220V/380V 50Hz/60Hz	Three 4	6.8
CF-25	120	1740	25/20	6.6/5.28	7.5	1460 /1720	220V/380V 50Hz/60Hz	Three 4	6.8
CF-40	120	1740	40/32	10.56/8.45	13	1460 /1720	220V/380V 50Hz/60Hz	Three 4	10.7

## PUMP COMPARISON TABLE

Pump Type	Pump Efficiency	Initial Costs	Energy Costs	Maintenance & Repair Costs	24/7 Continuous Operation	Resistance to Wear Chips
Sabio	90-100%	Medium	Low	Low	✓	High
Triplex Plunger	85%-100%	Medium High	Low	Medium	✓ / ✗	High
Muti-stage Centrifugal	40%-60%	High	High	High	✓	Low
Gear	70%-90%	Low	High	Low	✗	Low
Diaphragm	95%	Medium	Medium	High	✗	Medium

● Tested in 70 bar& 2.0mm nozzle